

**WARRANTY PROVIDER  
ACCEPTED**

**A REFERENCE GUIDE OF  
TYPICAL RAINSCREEN  
WALL AND WINDOW  
DETAILS**

Per: 2006 B.C.B.C.  
Part 9

## **DISCLAIMER**

THE INFORMATION CONTAINED IN THIS DOCUMENT REPRESENTS CURRENT WOOD FRAME BUILDING PRACTICES IN THE BRITISH COLUMBIA COASTAL REGION AND HAS BEEN REVIEWED BY A SPECTRUM OF INDUSTRY PARTICIPANTS.

THE READER IS ADVISED TO EVALUATE THE INFORMATION, MATERIALS AND TECHNIQUES CAUTIOUSLY AND TO CONSULT APPLICABLE BUILDING CODES AND GUIDELINES TO DETERMINE WHETHER THE INFORMATION, MATERIALS AND TECHNIQUES ARE SUITABLE IN EACH INSTANCE.

THE DRAWINGS AND TEXT ARE INTENDED AS A GENERAL REFERENCE GUIDE ONLY. PROJECT AND SITE SPECIFIC FACTORS INCLUDING CLIMATE, EXPOSURE, COMPLEXITY, AESTHETICS, ETC. MUST ALWAYS BE TAKEN INTO CONSIDERATION.

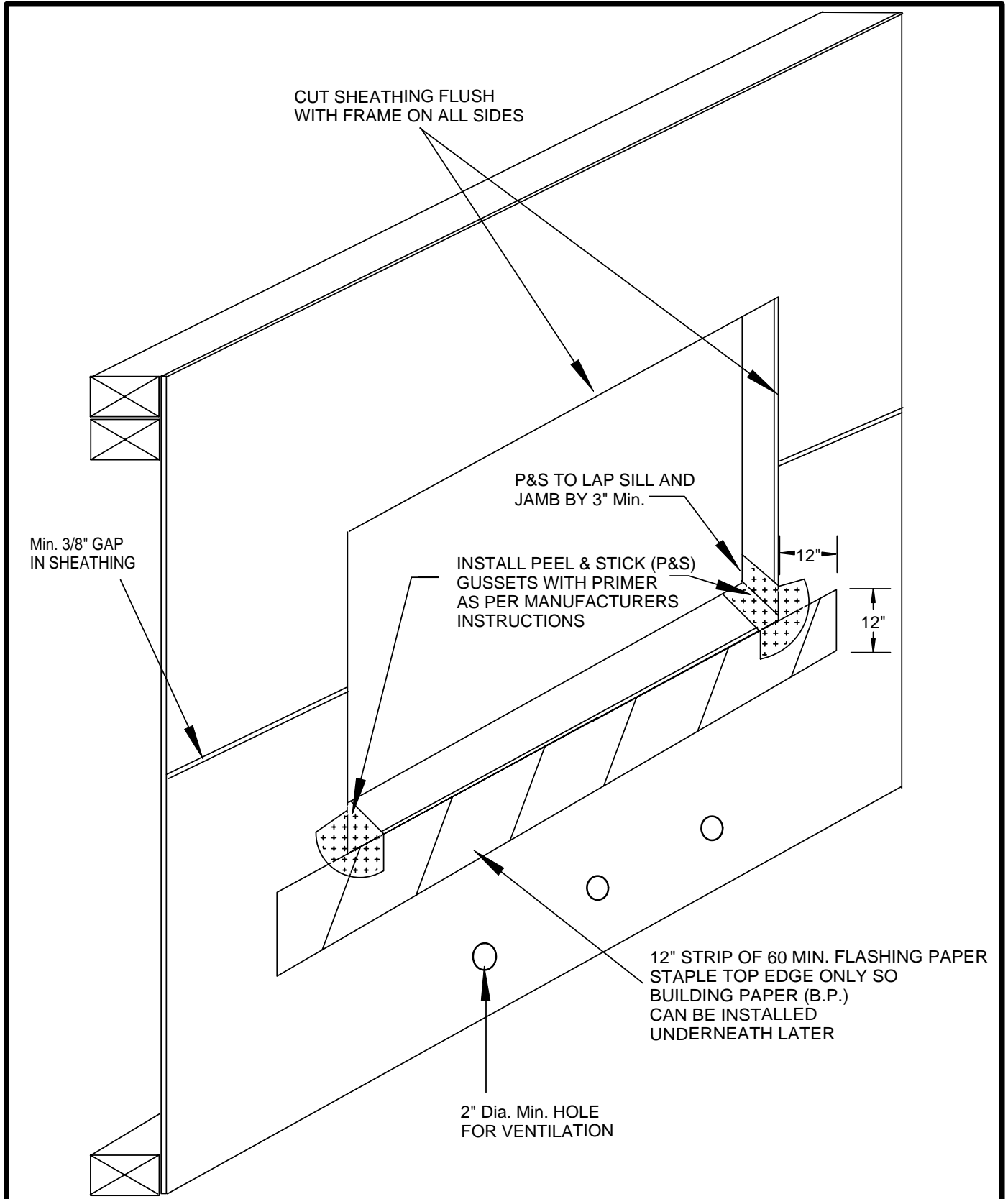
## **LIMITATIONS**

THESE DETAILS ARE INTENDED AS A PRACTICAL REFERENCE GUIDE FOR ASSEMBLING THE BUILDING ENVELOPE IN WOOD FRAME CONSTRUCTION. IT IS NOT INTENDED TO REPLACE PROFESSIONAL ADVICE.

ENSURE THAT ALL PROPOSED PRODUCTS AND SYSTEMS ARE ACCEPTABLE TO THE BUILDING AUTHORITY HAVING JURISDICTION PRIOR TO INSTALLATION.

THE INFORMATION PRESENTED HEREIN IS NOT EXCLUSIVE, MANY PRODUCTS AND METHODS MAY BE USED AS ALTERNATIVES TO SATISFY REGIONAL REQUIREMENTS, COST CONSIDERATIONS, AVAILABILITY AND SPECIFIC DESIGN REQUIREMENTS.

ENSURE THAT MATERIALS USED IN CONJUNCTION WITH ONE AND ANOTHER ARE COMPATIBLE.



Sill Flashing Paper & Gussets

NTS

**Detail**

Warranty Provider Accepted

March 2007

**1.0**

OVERLAP ALL FLASHING PAPER SHINGLE STYLE (AS SHOWN)

12"  
12"

Place plastic horseshoe shims on sill spaced as per window manufacturers specifications. Ensure that the shims do not extend past the inside of the window frame. Place one behind each fastener when fastening the sill flange

12"

60 MIN. FLASHING PAPER

APPLY P&S WITH PRIMER AS PER MANUFACTURERS REQUIREMENTS FROM INSIDE OF SILL EXTEND DOWN THE PAPER AND UP THE JAMBS BY 3" Min.

Peel & Stick & Flashing Paper

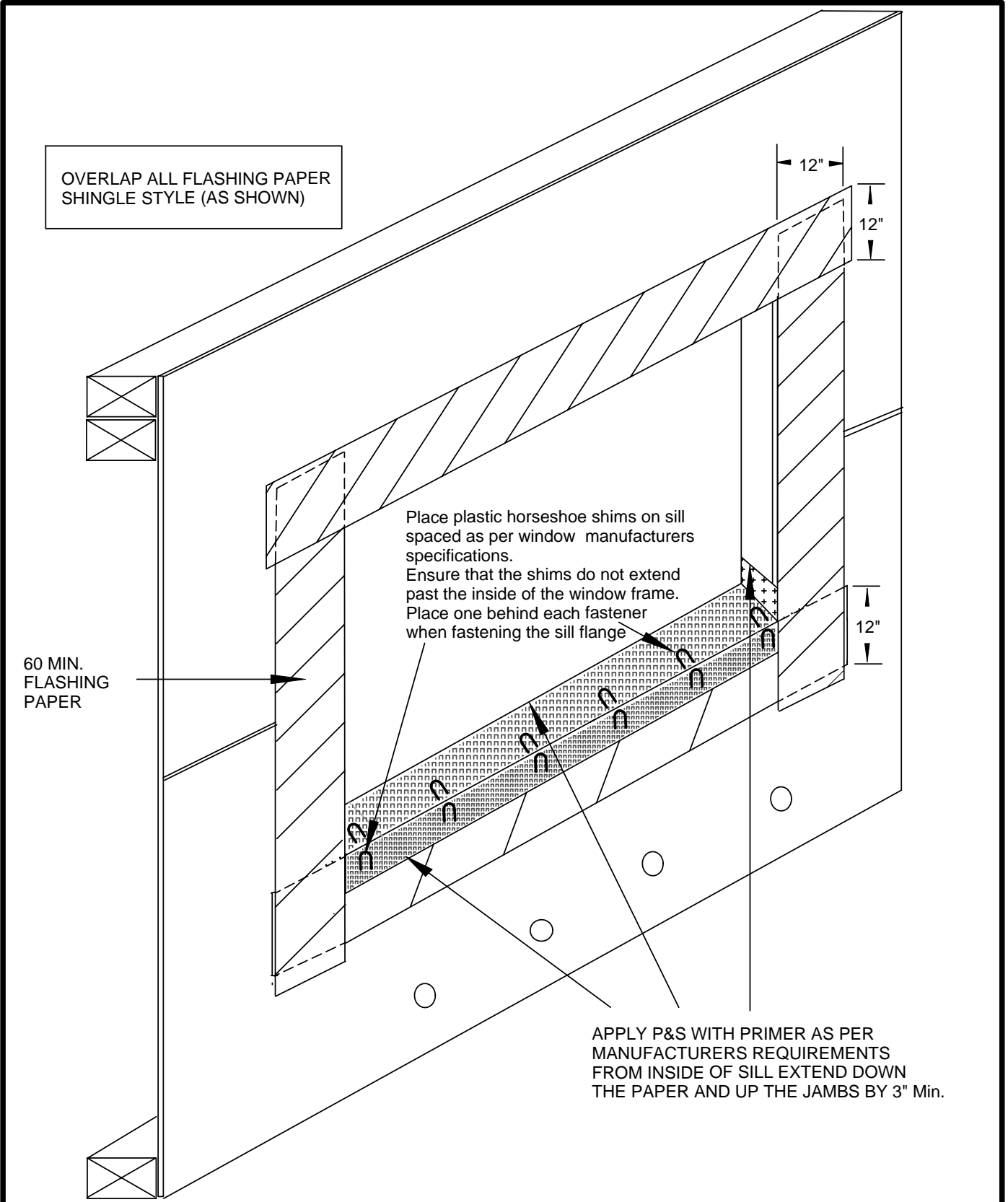
NTS

Detail

1.1

Warranty Provider Accepted

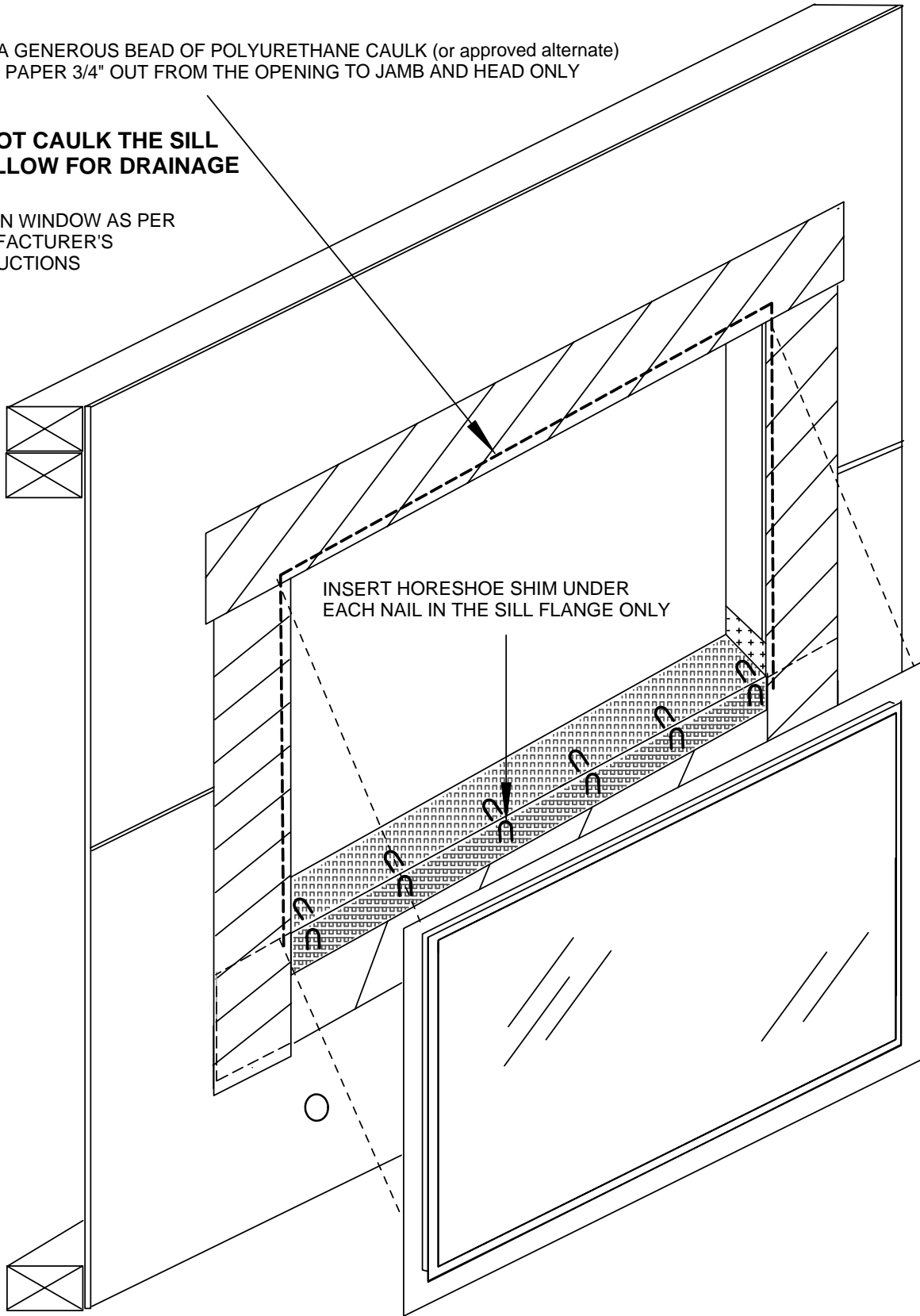
March 2007



APPLY A GENEROUS BEAD OF POLYURETHANE CAULK (or approved alternate)  
TO THE PAPER 3/4" OUT FROM THE OPENING TO JAMB AND HEAD ONLY

**DO NOT CAULK THE SILL  
TO ALLOW FOR DRAINAGE**

FASTEN WINDOW AS PER  
MANUFACTURER'S  
INSTRUCTIONS



INSERT HORESHOE SHIM UNDER  
EACH NAIL IN THE SILL FLANGE ONLY

Window Installation

NTS

**Detail**

Warranty Provider Accepted

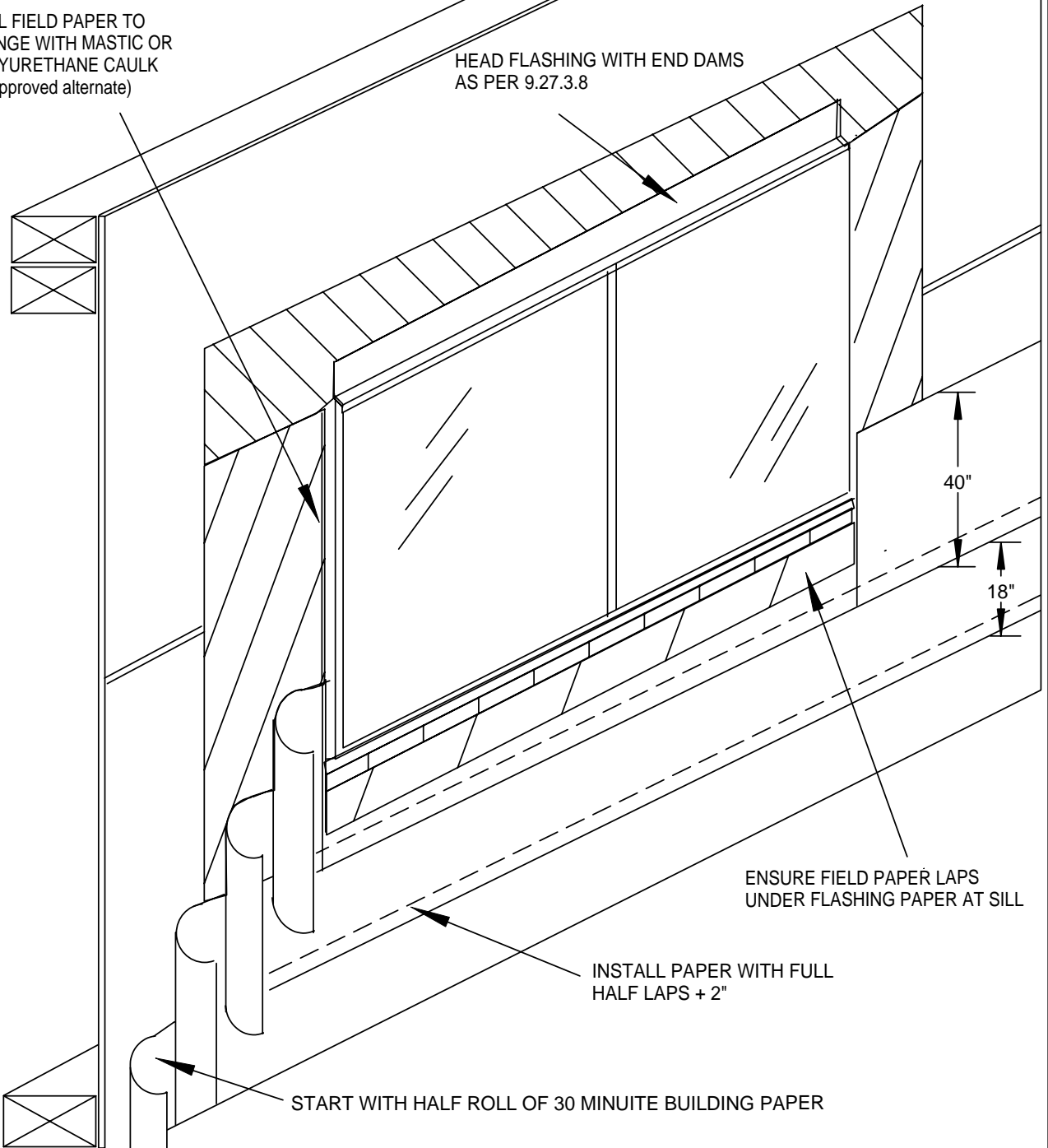
March 2007

**1.2**

ALL VERTICAL LAPS TO BE 12" Min. AND STAGGERED  
 THE INSIDE OF THE FRAME IS TO BE SEALED TO THE  
 AIR/VAPOUR BARRIER (A.B & V.B.) ON ALL FOUR SIDES  
 WITH POLYURETHANE CAULK AT THE SILL AND  
 ROD & CAULK AT THE JAMBS & HEAD

SEAL FIELD PAPER TO  
 FLANGE WITH MASTIC OR  
 POLYURETHANE CAULK  
 (or approved alternate)

HEAD FLASHING WITH END DAMS  
 AS PER 9.27.3.8



ENSURE FIELD PAPER LAPS  
 UNDER FLASHING PAPER AT SILL

INSTALL PAPER WITH FULL  
 HALF LAPS + 2"

START WITH HALF ROLL OF 30 MINUTE BUILDING PAPER

Building paper installation

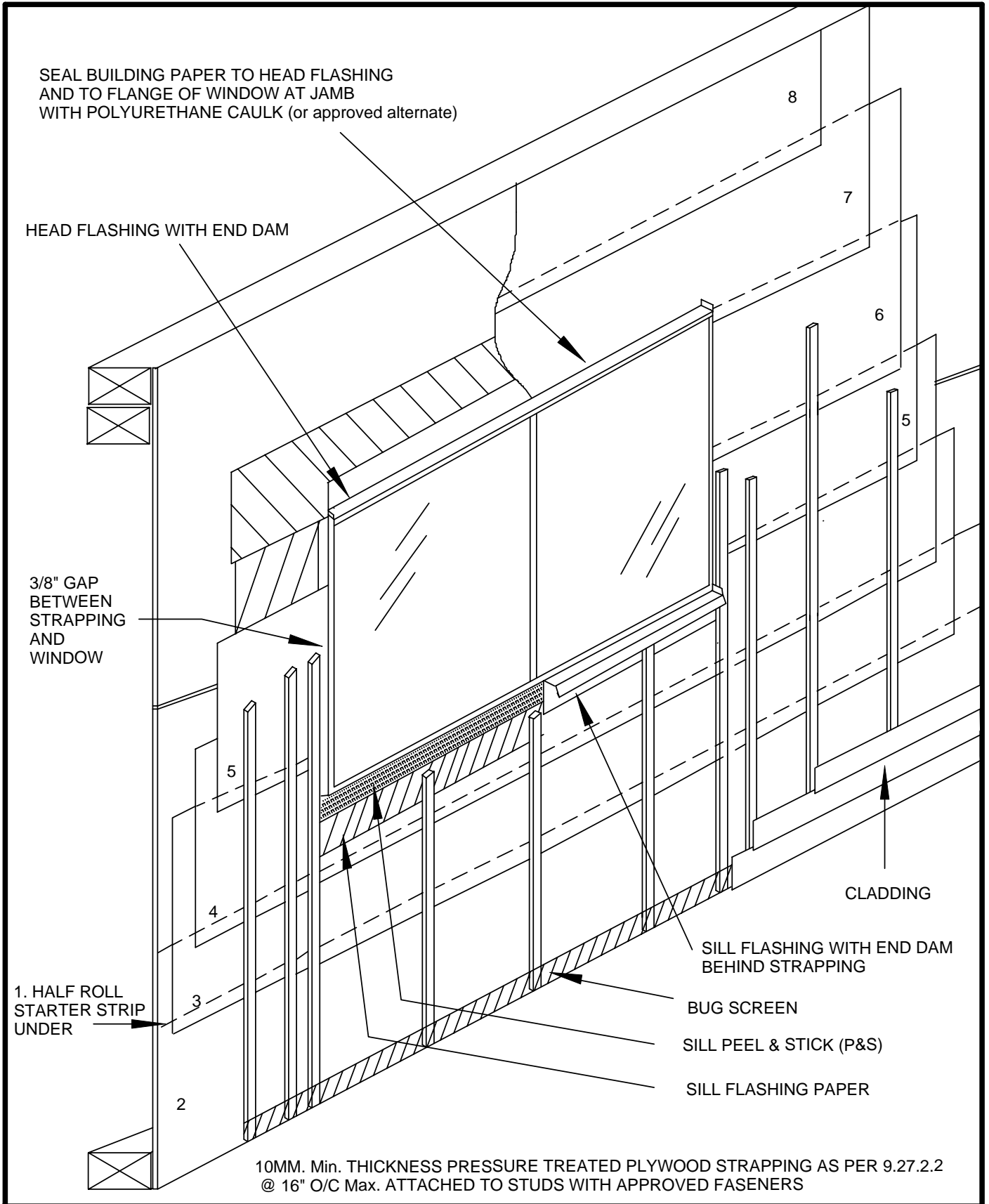
NTS

**Detail**

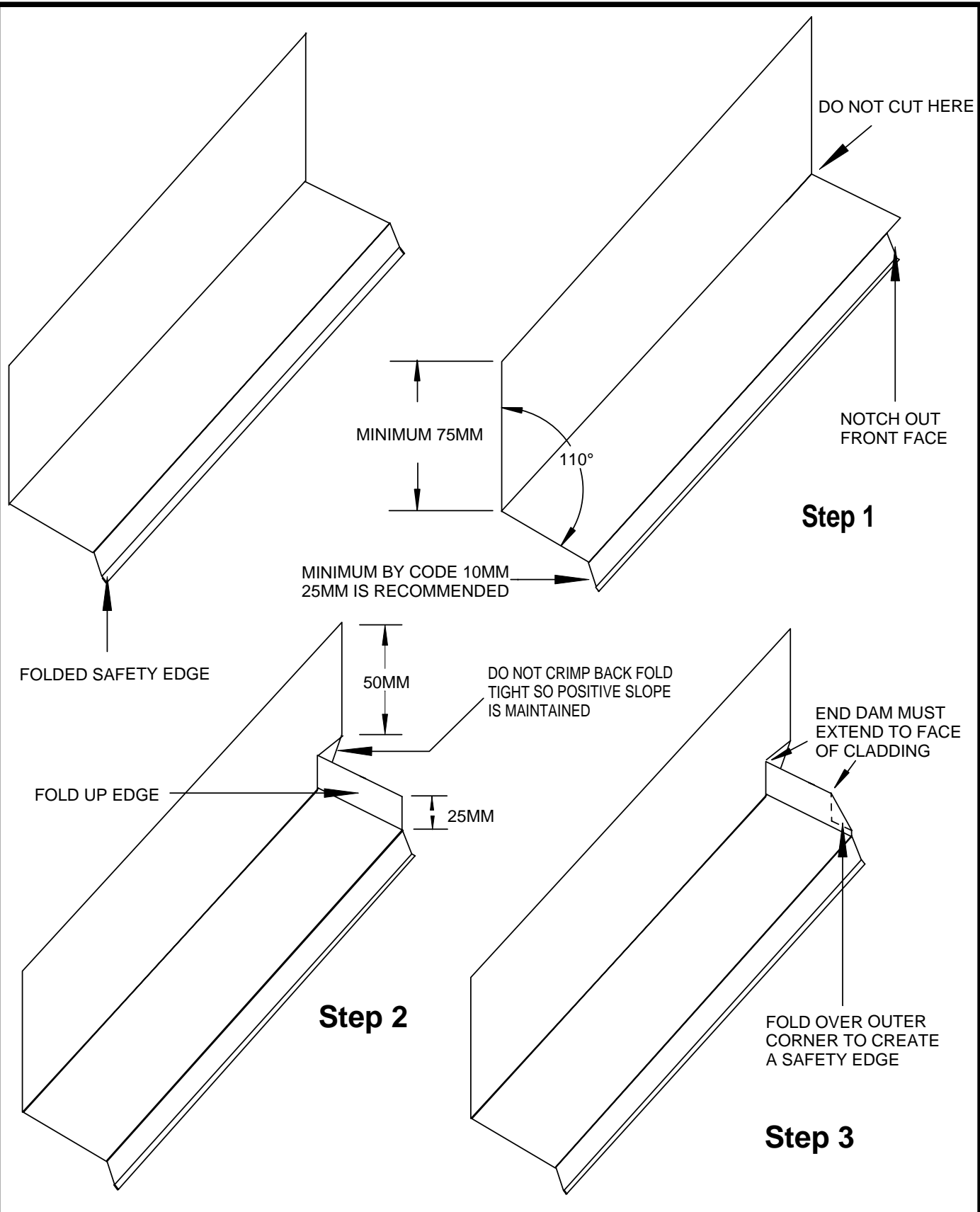
Warranty Provider Accepted

**1.3**

March 2007

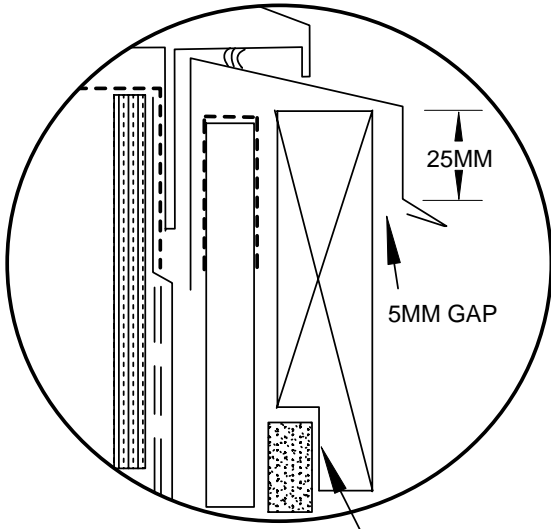
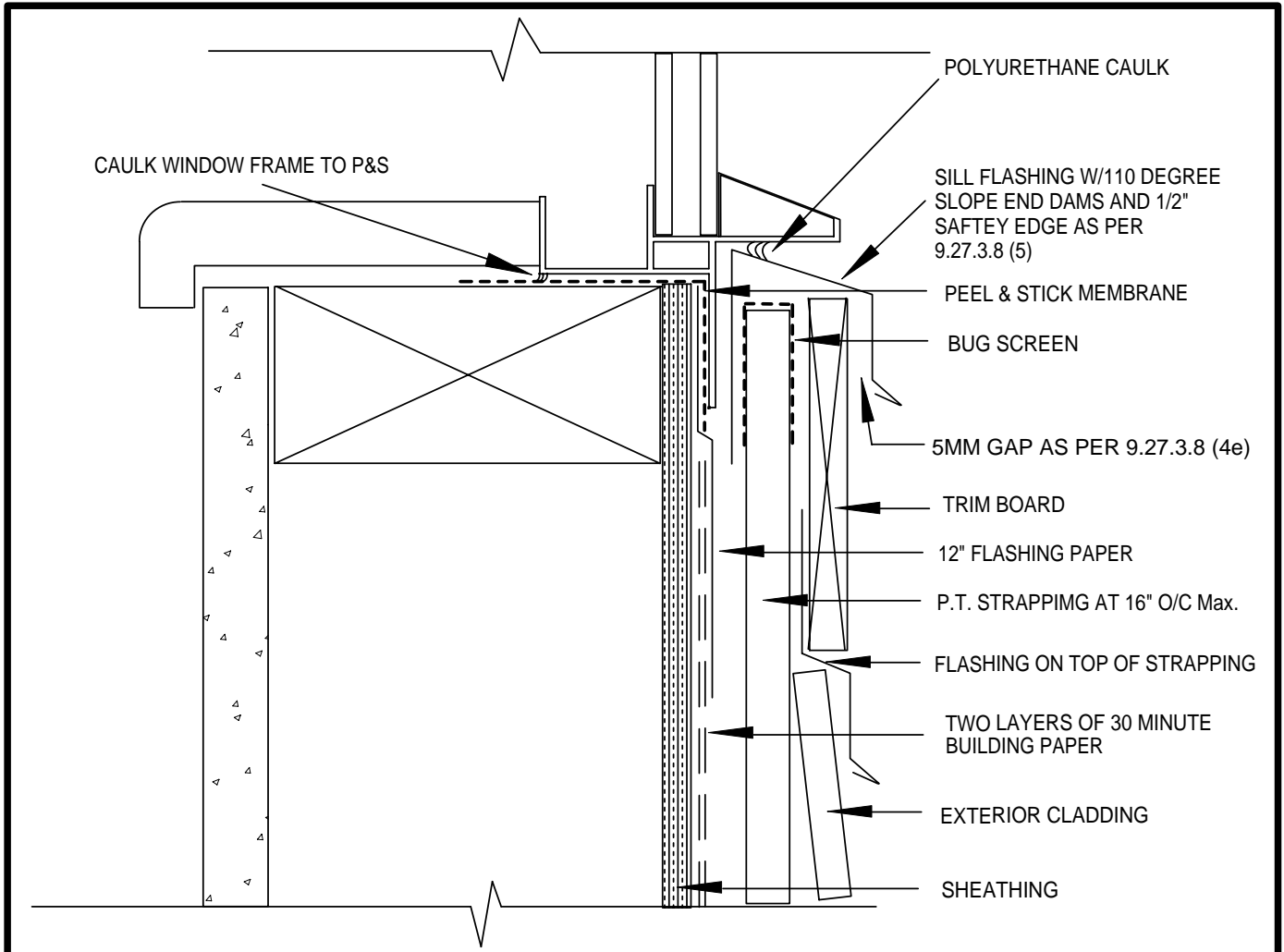


Building paper and strapping installation	NTS	<b>Detail 1.4</b>
Warranty Provider Accepted	March 2007	

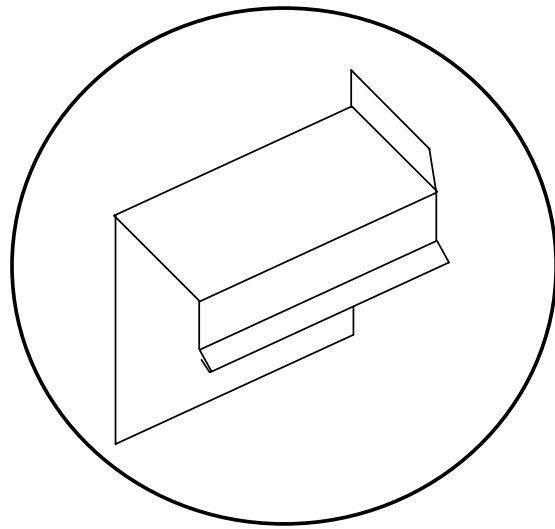


Window Head Flashing with End Dam - Per: 9.27.3.8	NTS	<b>Detail 2.0</b>
Warranty Provider Accepted		
	March 2007	



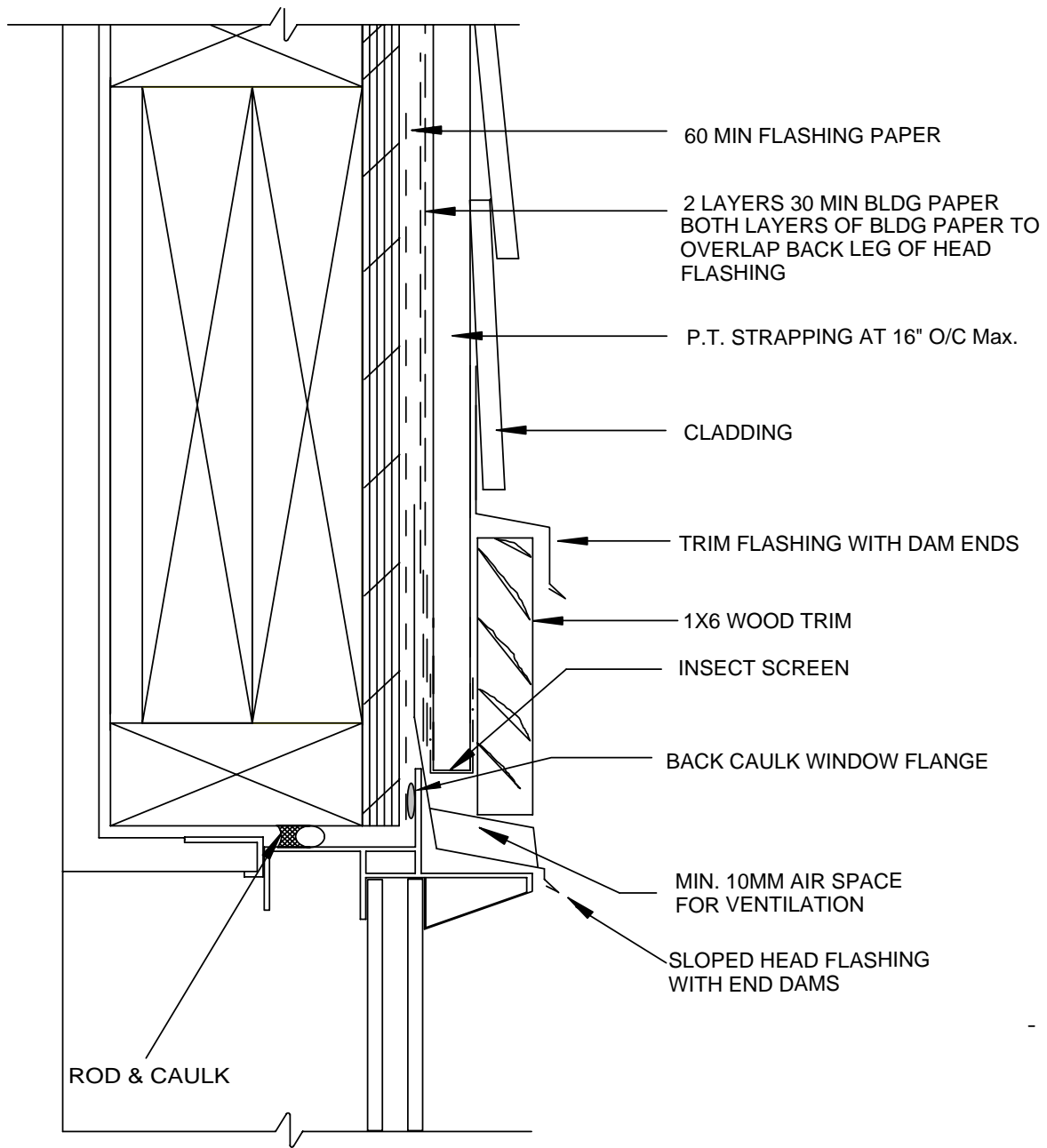


**ALTERNATE** 2 X 6 TRIM WITH 25MM. Min. NOTCH IN BOTTOM per 9.27.3.8 (2a)



SILL FLASHING WITH END DAM (all dimensions similar to head flashing)

Window Sill (flanged window with trim)	NTS	<b>Detail 3.0</b>
Warranty Provider Accepted		



Window Head (section)

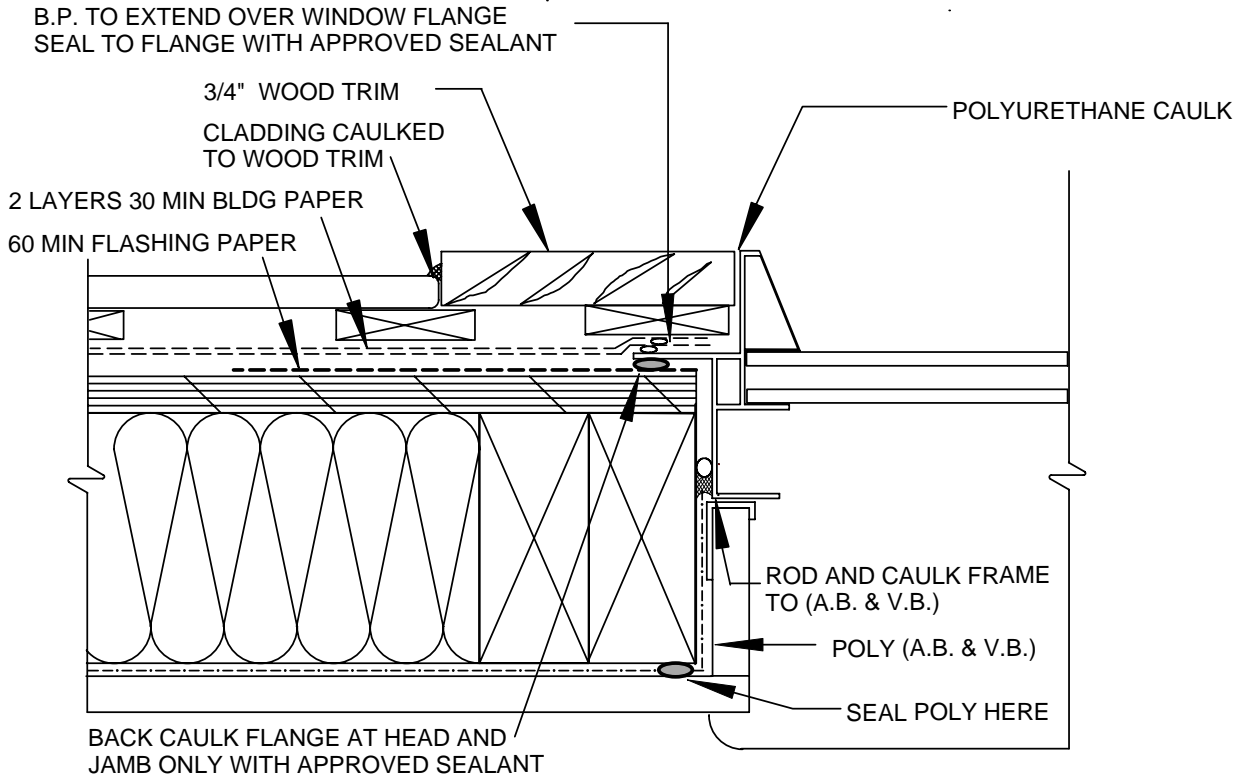
NTS

**Detail**

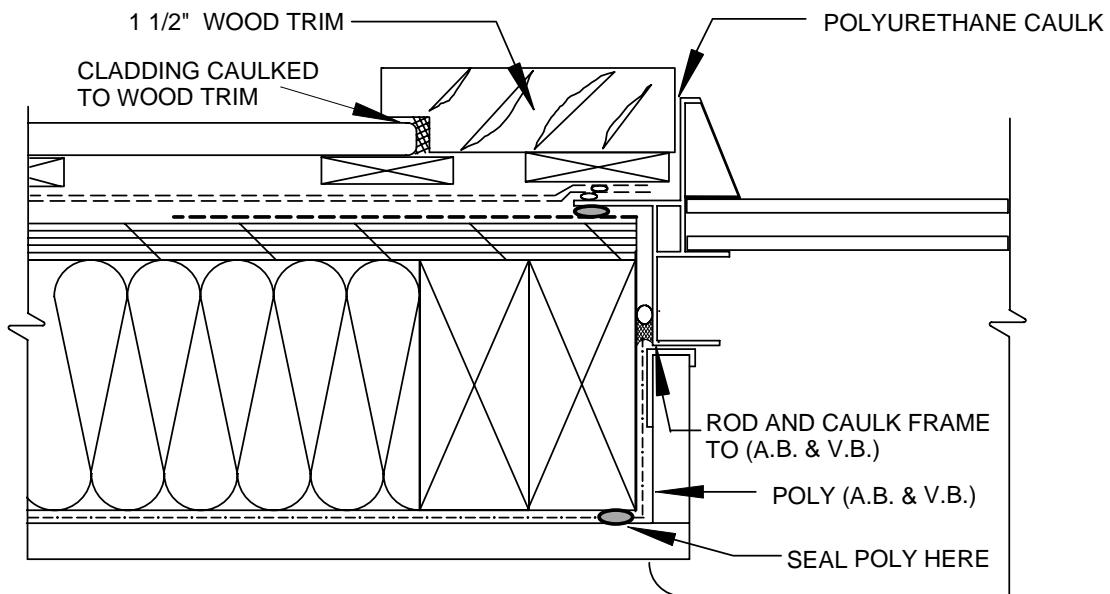
Warranty Provider Accepted

March 2007

**3.1**

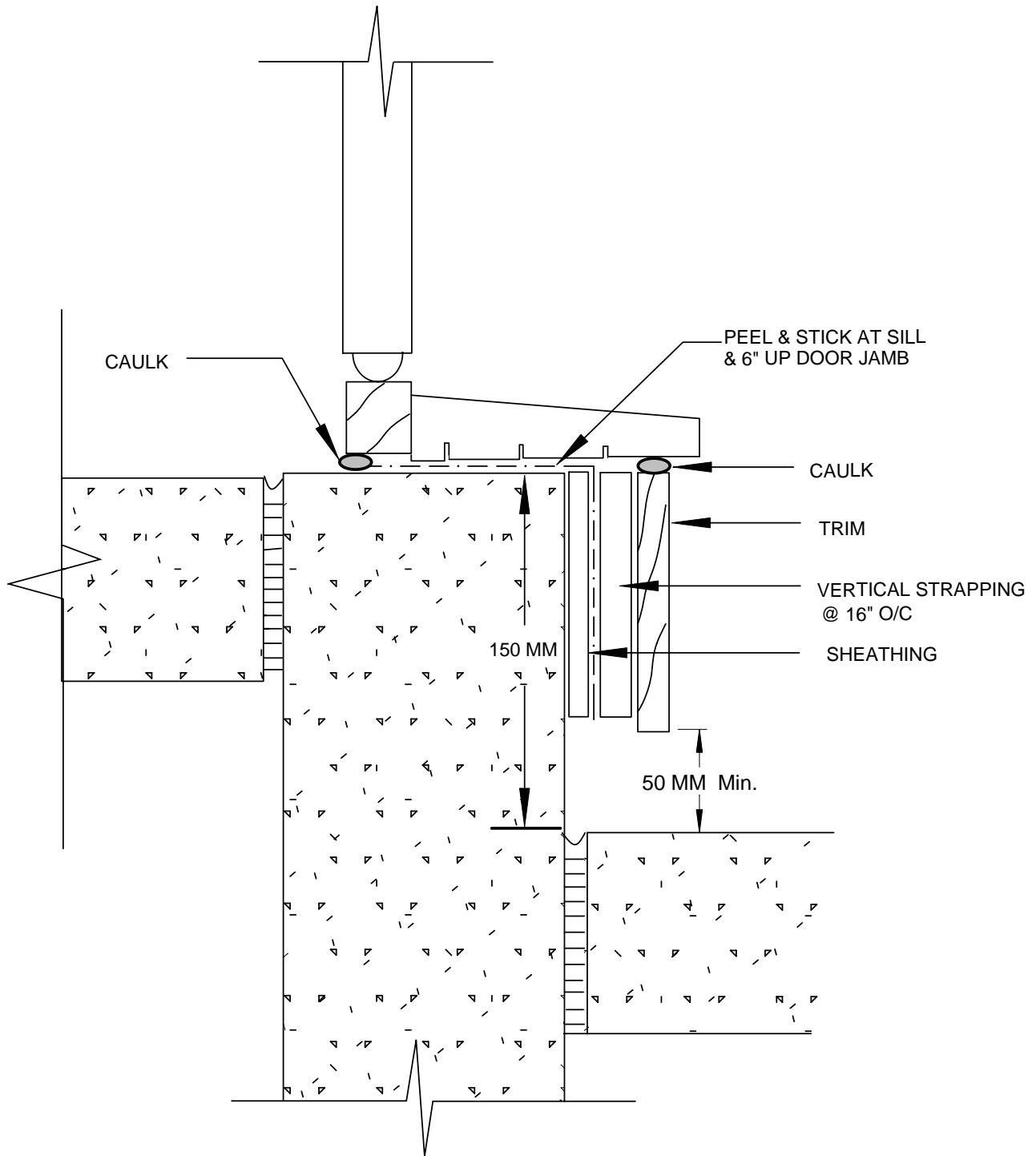


**WINDOW JAMB WITH 3/4" TRIM**



**WINDOW JAMB WITH 1 1/2" TRIM**

Window Jamb (section)	NTS	<b>Detail 3.2</b>
Warranty Provider Accepted		
	March 2007	



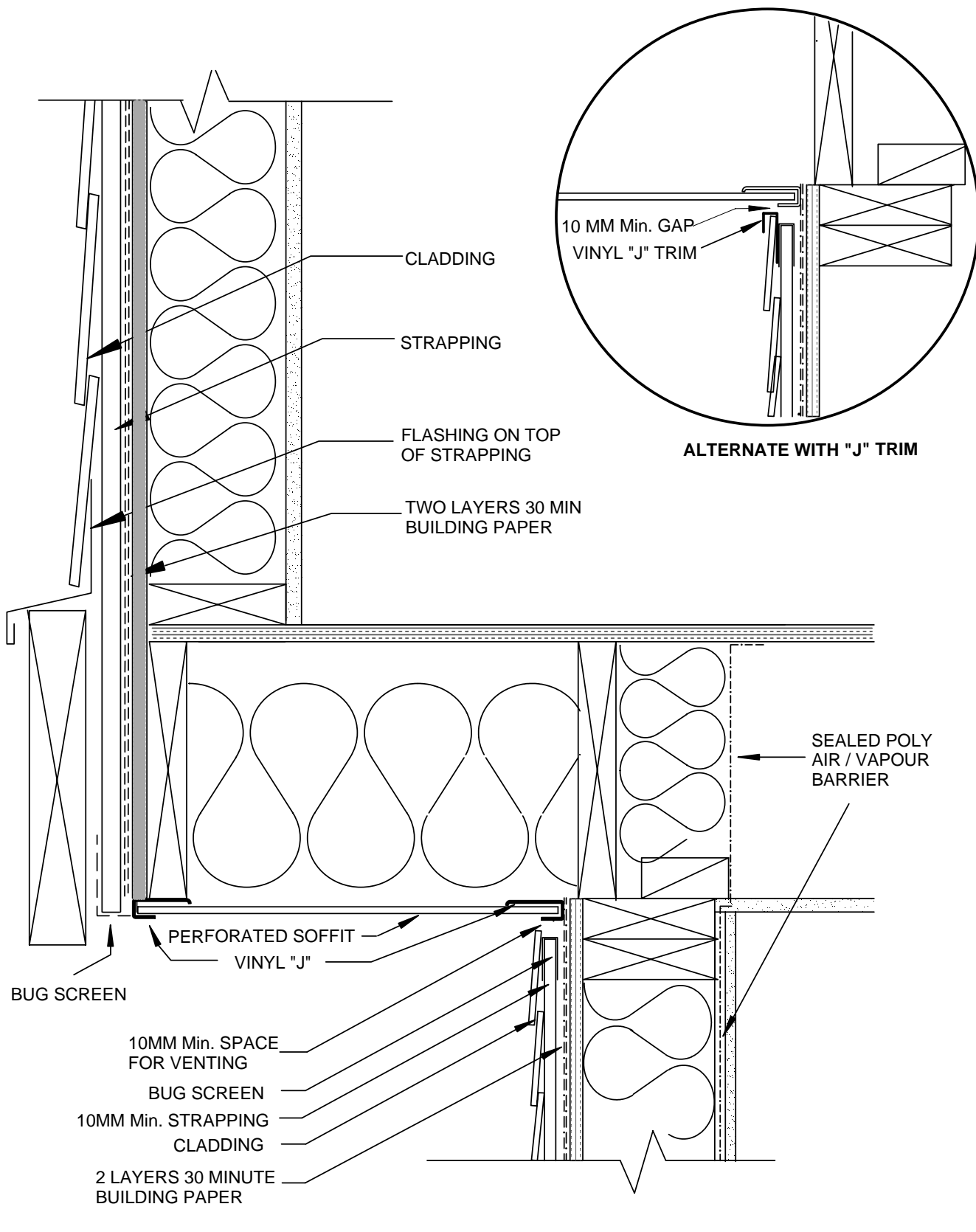
Entry Door Sill

NTS

Warranty Provider Accepted

March 2007

**Detail  
4.0**



Bottom & top of Walls at Cantilever

NTS

**Detail  
5.0**

Warranty Provider Accepted

March 2007

60 MIN FLASHING PAPER  
ON SHEATHING BEHIND  
ROOF FRAMING AND FLASHING

15LB ROOFING FELT

METAL FLASHING

2 LAYERS OF 30Min.  
BUILDING PAPER TO  
LAP FLASHING MIN 4"  
SEAL TO FLASHING

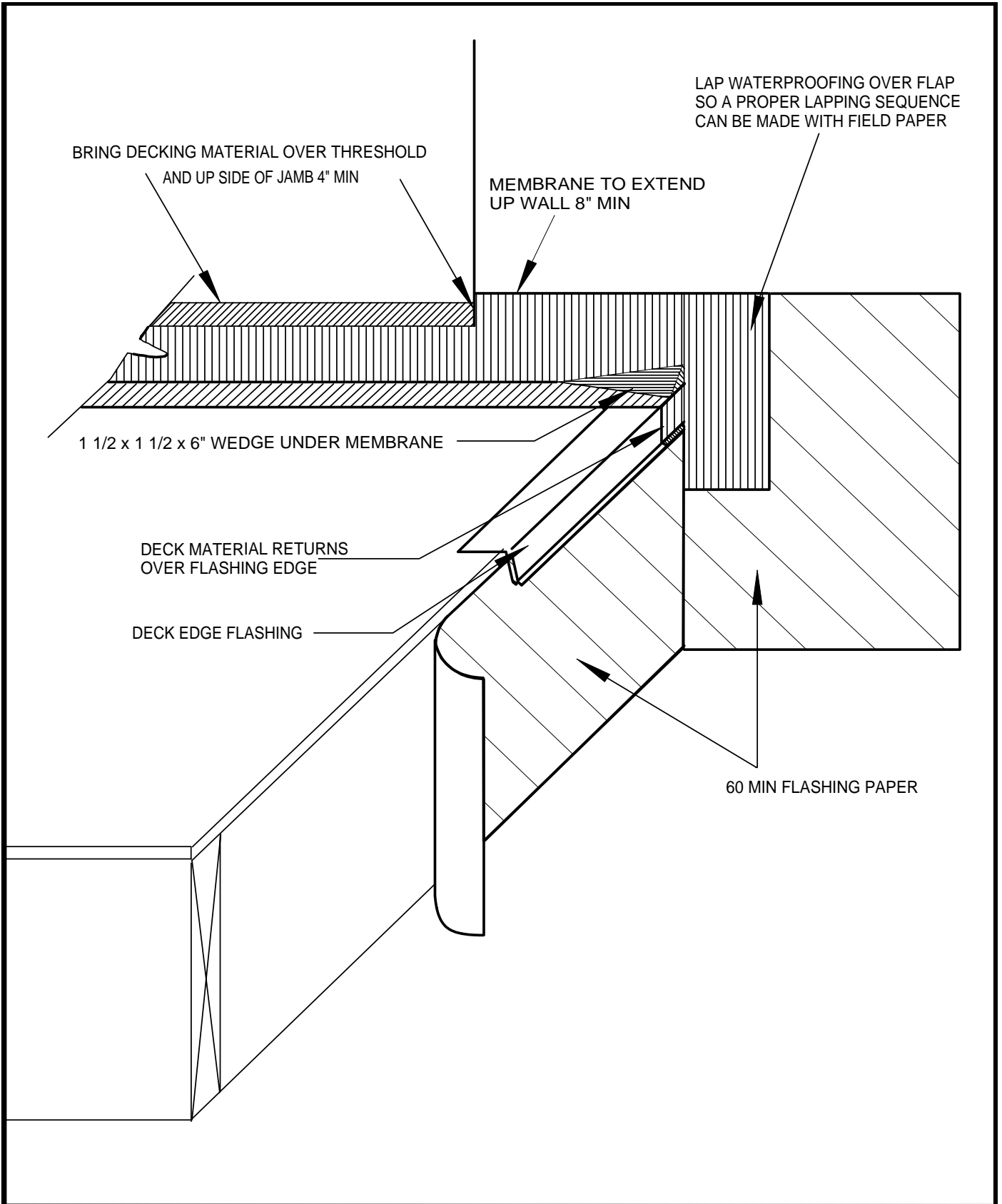
P.T. STRAPPING

CLADDING 1/2" LOWER  
THAN STRAPPING

BUG SCREEN

FLASHING TO HAVE 6" BACKLEG UP WALL  
CLADDING TO LAP FLASHING BY 4"  
MIN 2" CLEARANCE BETWEEN  
CLADDING AND ROOFING

Roof to Wall Intersection	NTS	<b>Detail 5.1</b>
Warranty Provider Accepted	March 2007	



Deck to Wall Interface	NTS		<b>Detail 5.2</b>
Warranty Provider Accepted			
	March 2007		

VIINYL OUTSIDE CORNER TRIM

TWO LAYERS OF BUILDING PAPER  
DOUBLE LAPPED AT CORNERS

CLADDING

**FOR  
VINYL  
SIDING**

CLADDING

TWO LAYERS OF BUILDING PAPER  
DOUBLE LAPPED AT CORNERS

VINYL INSIDE CORNER TRIM  
(BACK TO BACK STOPS  
WILL NOT BE ACCEPTED)

LEAVE 10MM GAP IN CORNER

STRIP OF 60 MINUTE BUILDING  
PAPER ON TOP OF STRAPPING

CAULK CLADDING TO 2 X 2

ALL LAYERS OF BUILDING PAPER TO  
LAP AROUND THE CORNER BY 6" min.

**FOR SIDING**

1 X 4

1 X 4

STRIP OF 60 MINUTE BUILDING  
PAPER ON TOP OF STRAPPING

LEAVE GAP IN STRAPPING AT CORNER

CAULK

Typical Corners

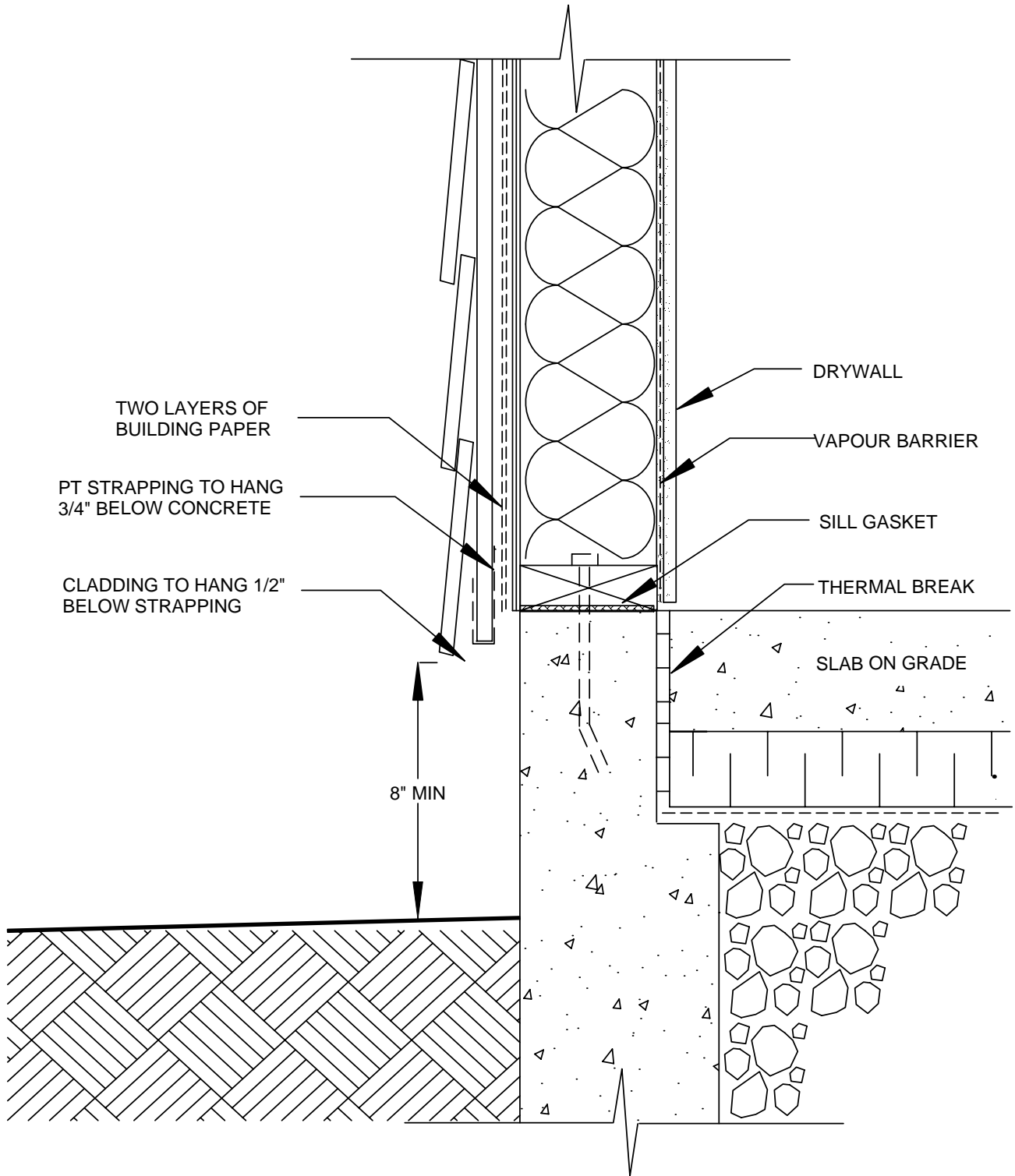
NTS

**Detail  
6.0**

Warranty Provider Accepted

March 2007





Base of Wall

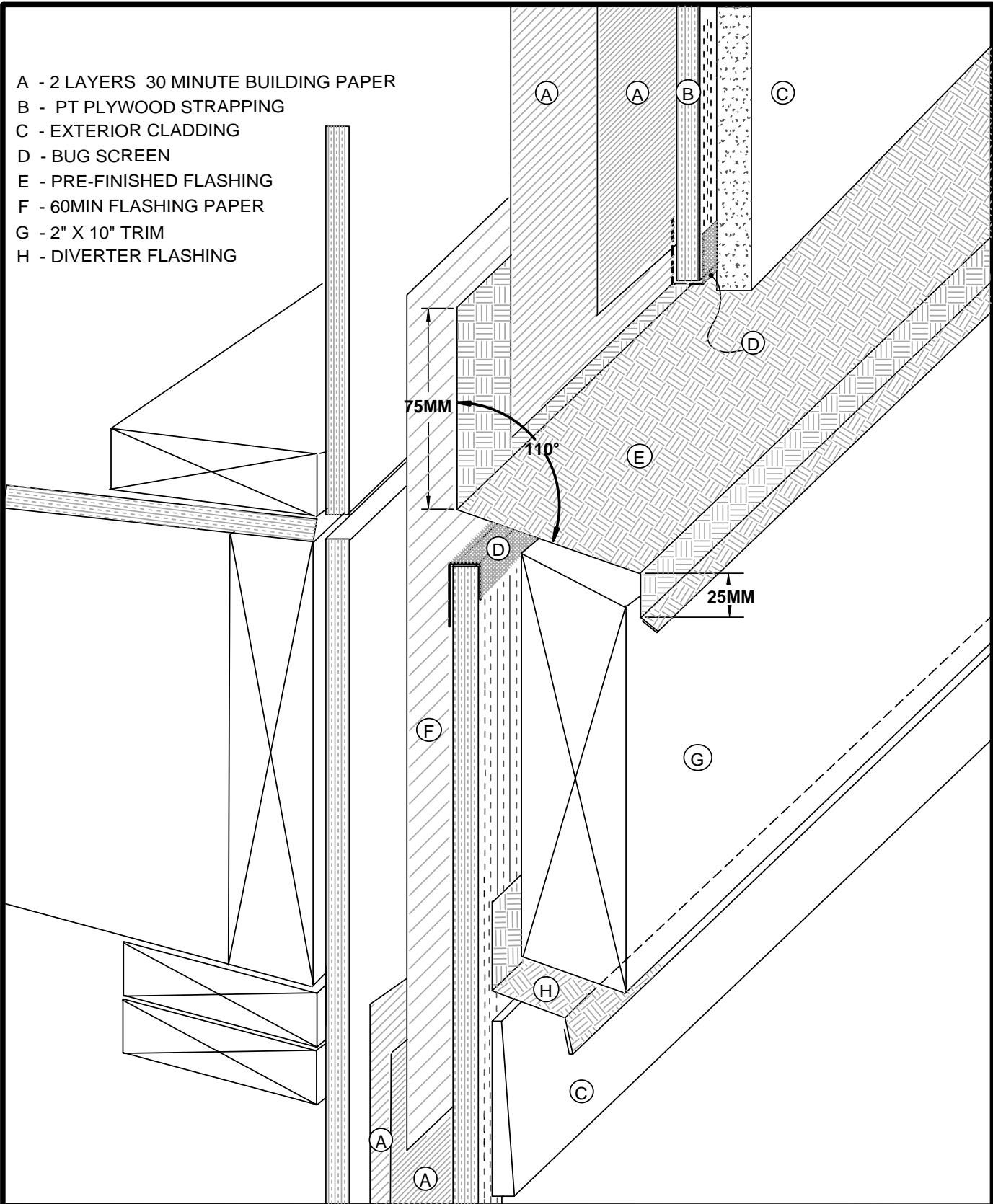
NTS

Warranty Provider Accepted

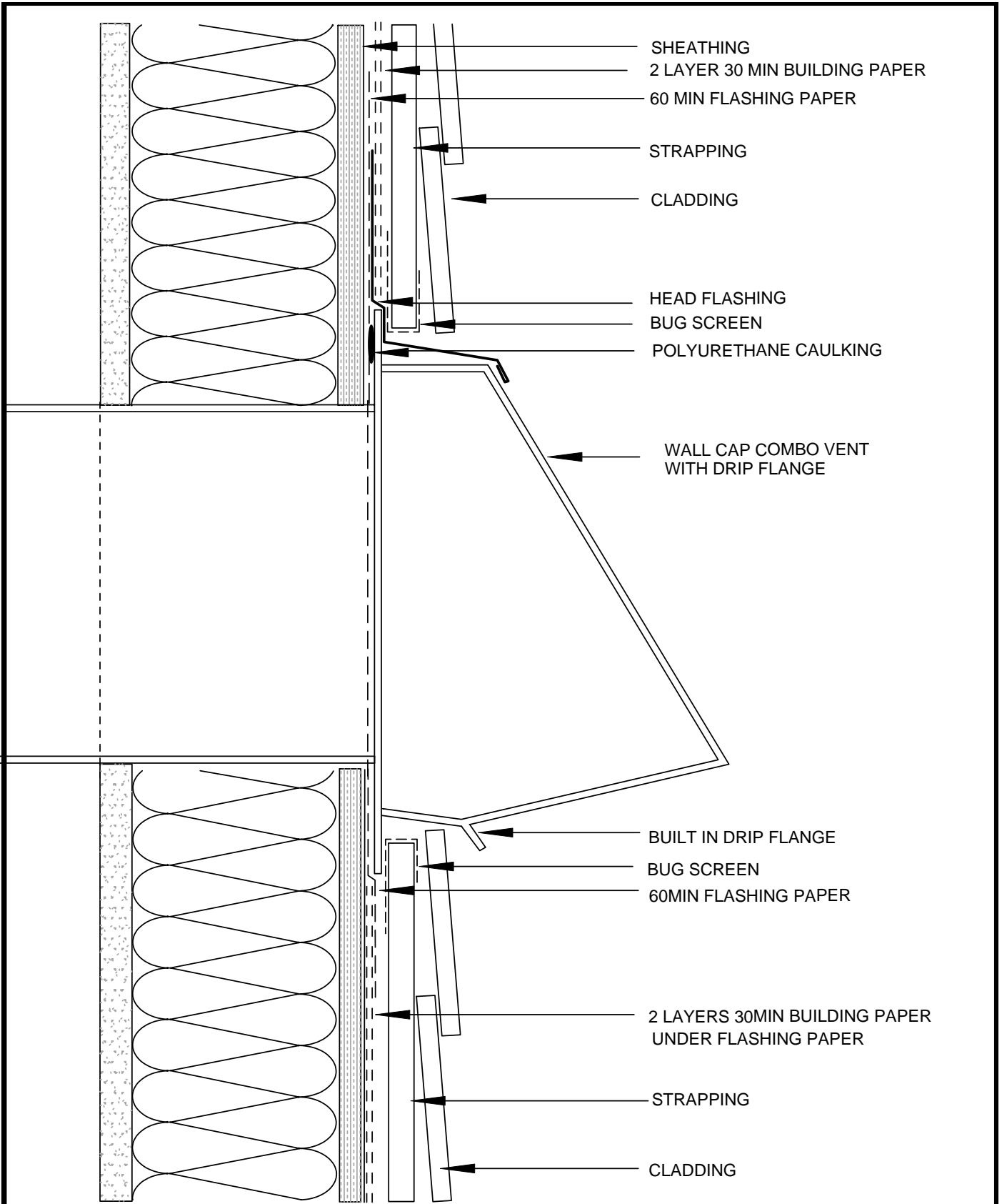
March 2007

**Detail  
7.0**

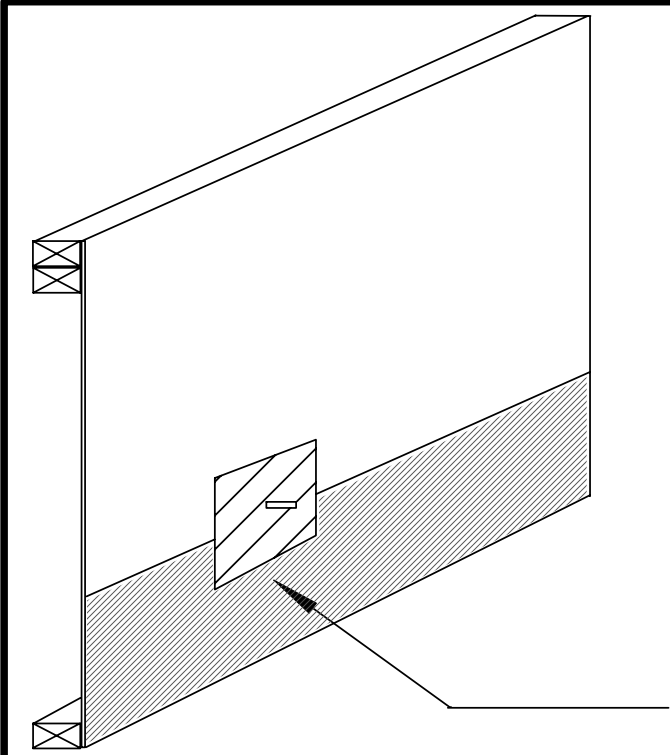
- A - 2 LAYERS 30 MINUTE BUILDING PAPER
- B - PT PLYWOOD STRAPPING
- C - EXTERIOR CLADDING
- D - BUG SCREEN
- E - PRE-FINISHED FLASHING
- F - 60MIN FLASHING PAPER
- G - 2" X 10" TRIM
- H - DIVERTER FLASHING



Through Wall Flashing & Band Board	NTS	<b>Detail 8.1</b>
Warranty Provider Accepted		
	March 2007	



Vent Cap Installation	NTS		<b>Detail 9.1</b>
Warranty Provider Accepted	March 2007		



Drill or punch (do NOT cut with a knife) a 1/4" hole in the middle of a 12" x 12" square of EPDM rubber roofing membrane and push the pipe through it. IT MUST MAKE A TIGHT FIT.

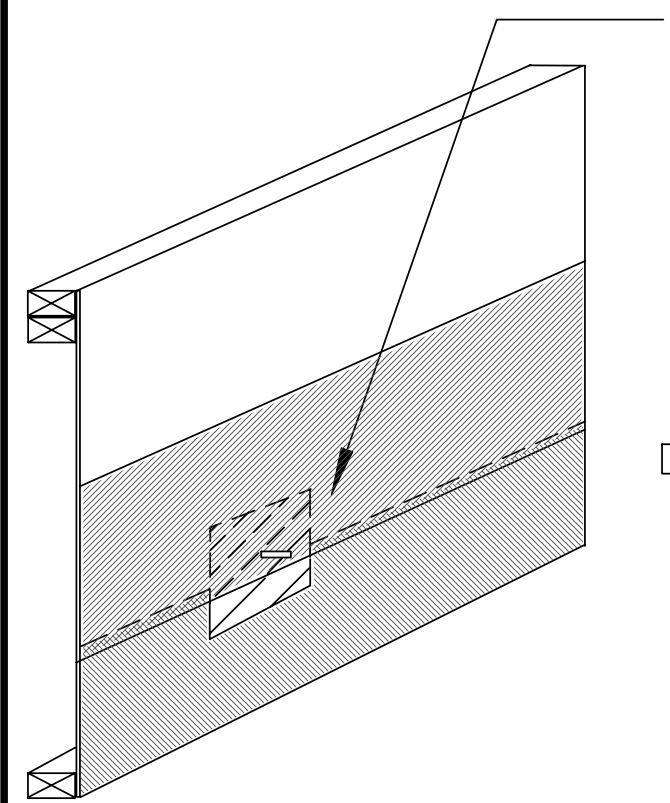
Place the pipe in the wall and staple only the top of the membrane to the wall sheathing. Solder the pipe into the plumbing system at the inside of the wall. Take care not to heat the EPDM membrane.

When applying the building paper, pull the bottom of the EPDM membrane outwards and then push it back along the pipe so it bulges OUT NOT IN at the pipe. Seal the membrane to the pipe with polyurethane caulk.

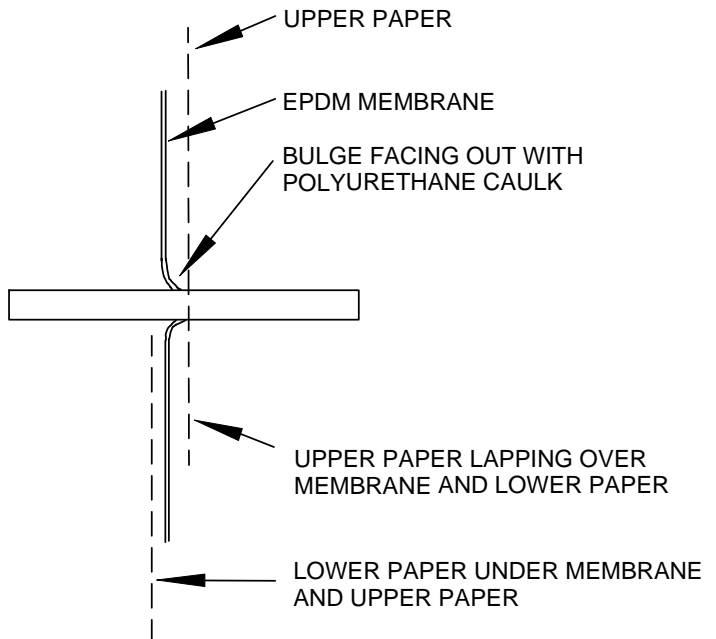
Apply the lower paper under the membrane and the upper paper over the membrane as shown. Be sure that the upper paper laps over the joint between the lower paper and the membrane by at least 4" as shown.

Trim out the hose bib at the cladding line with an approved vinyl trim kit.

LOWER PAPER UNDER THE EPDM MEMBRANE



UPPER PAPER LAPPED OVER THE MEMBRANE AND THE LOWER PAPER BY 4" Min.



Hose Bib Installation

NTS

**Detail**

Warranty Provider Accepted

March 2007

**9.2**

**ALL ELECTRICAL BOXES MUST HAVE GASKETS AND FLANGES**

Attach the flanged box on the wall with a piece of strapping behind the flange.

Apply polyurethane caulk to the flange of the box.

Cut a hole 1" smaller in both directions than the size of the opening in the box in the middle of a 12" x 12" square of EPDM rubber roofing membrane.

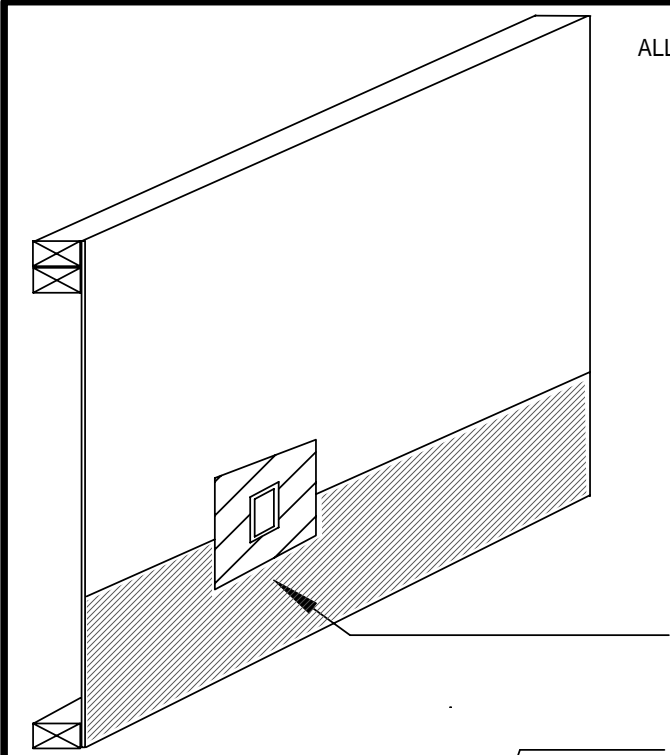
Stretch the membrane over the opening of the box and seal it to the flange.

**IT MUST BE A TIGHT FIT,**

Staple only the top of the membrane to the wall.

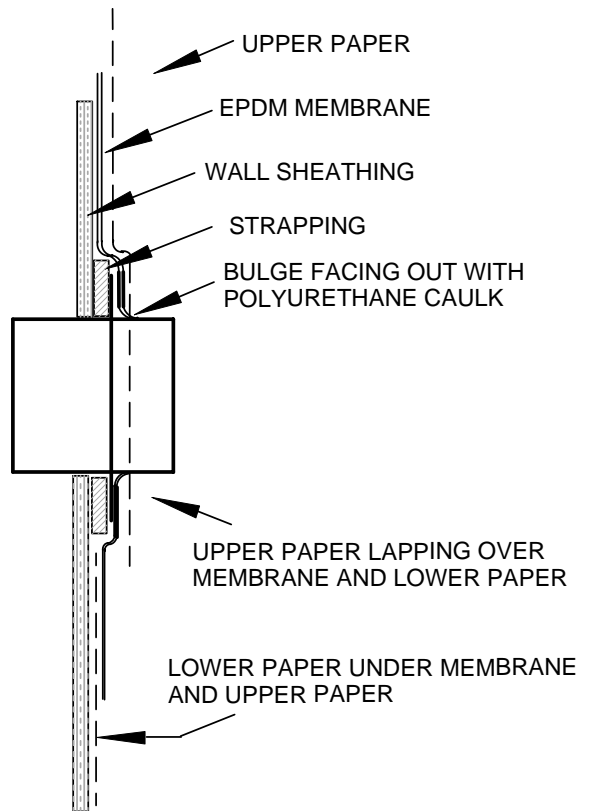
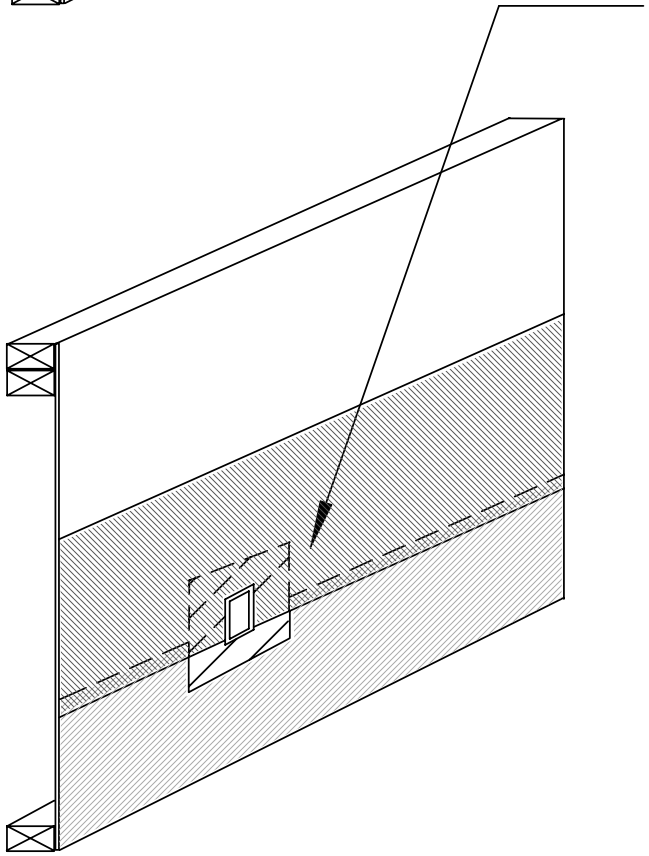
Apply the lower paper under the membrane and the upper paper over the membrane as shown. Be sure that the upper paper laps over the joint between the lower paper and the membrane by at least 4" as shown.

Trim out the electrical box at the cladding line with an approved vinyl trim kit.



LOWER PAPER UNDER THE EPDM MEMBRANE

UPPER PAPER LAPPED OVER THE MEMBRANE AND THE LOWER PAPER BY 4" Min.



Electrical Box Installation

NTS

**Detail**

Warranty Provider Accepted

March 2007

**9.3**