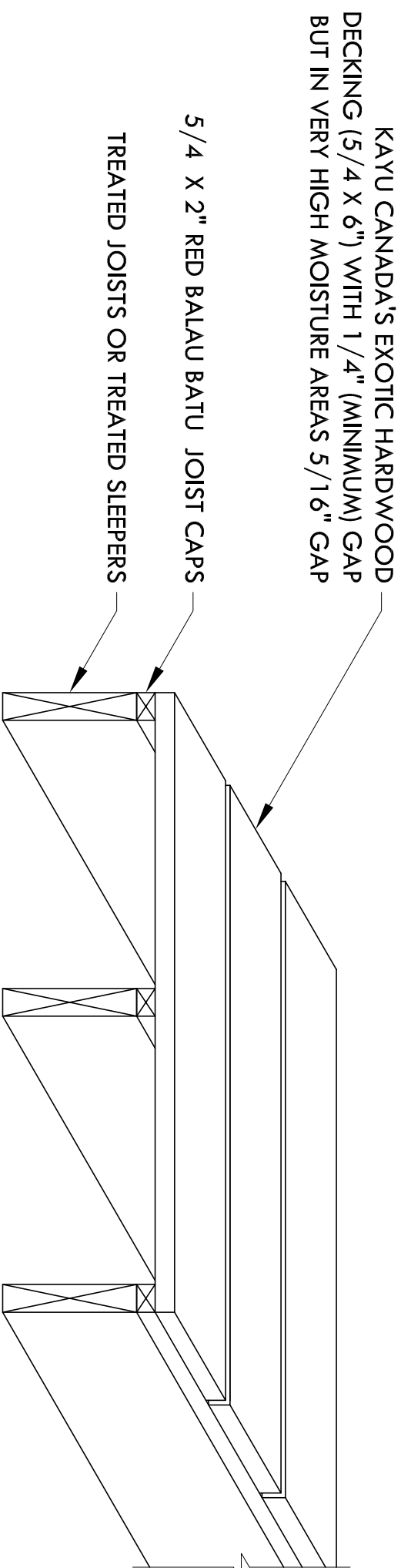


RECOMMENDED INSTALLATION METHOD FOR HIGH MOISTURE AREAS AND FOR ALL ROOF TOP AND GROUND LEVEL DECKS



1 KAYU CANADA JOIST CAP

Scale: 1:8

TOP 3 REASONS TO USE EXOTIC HARDWOOD JOIST CAPS:

1. DURABLE: FASTENING HARDWOOD TO HARDWOOD CREATES A MORE DURABLE DECK WITH MORE HOLDING POWER. FOR REDUCED CUPPING COMPARED TO USING TREATED LUMBER.
2. AESTHETICS: INSTEAD OF SEEING GREEN LUMBER YOU WILL SEE A BEAUTIFUL HARDWOOD TO HARDWOOD APPEARANCE
3. LONG LASTING: RED BALAU BATU JOIST CAPS LAST LONGER THAN TREATED LUMBER, WHICH WILL MATCH THE LIFE OF YOUR EXOTIC HARDWOOD DECKING, AND WILL BE WELL WORTH IT FOR THE EXTRA COST OF THE MATERIAL AND LABOUR.

HOW TO INSTALL:

1. 5/4 X 2" RED BALAU BATU JOIST CAPS SHOULD BE APPLIED TO TREATED JOISTS WITH CONSTRUCTION ADHESIVE
2. SCREW A MINIMUM 2.5" #8 COARSE THREAD ACOQ SCREW EVERY 2' ON CENTER
3. INSTALL OUR 5/4 X 4" OR 5/4 X 6" EXOTIC HARDWOOD DECKING WITH RECOMMENDED KREG DECK JIG AND 2" COARSE THREAD ACOQ SCREWS

ANY QUESTIONS PLEASE CALL OUR CALGARY OFFICE AT (1-877) 666-KAYU (5298) OR (403) 541-9009